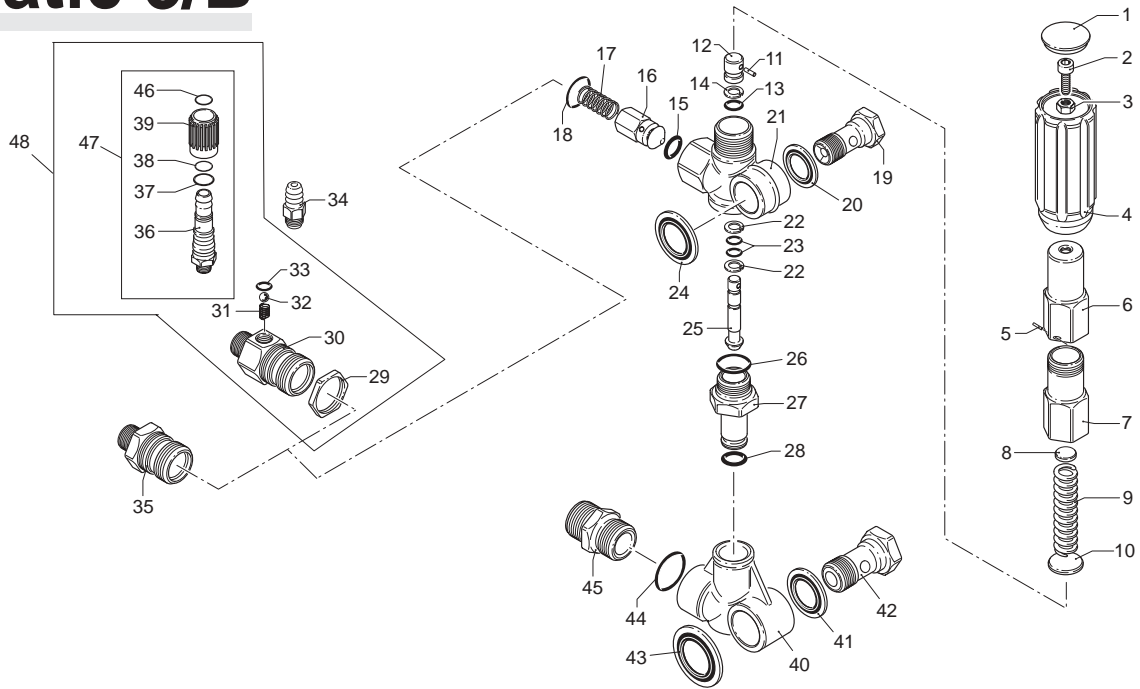


Gymatic 3/B



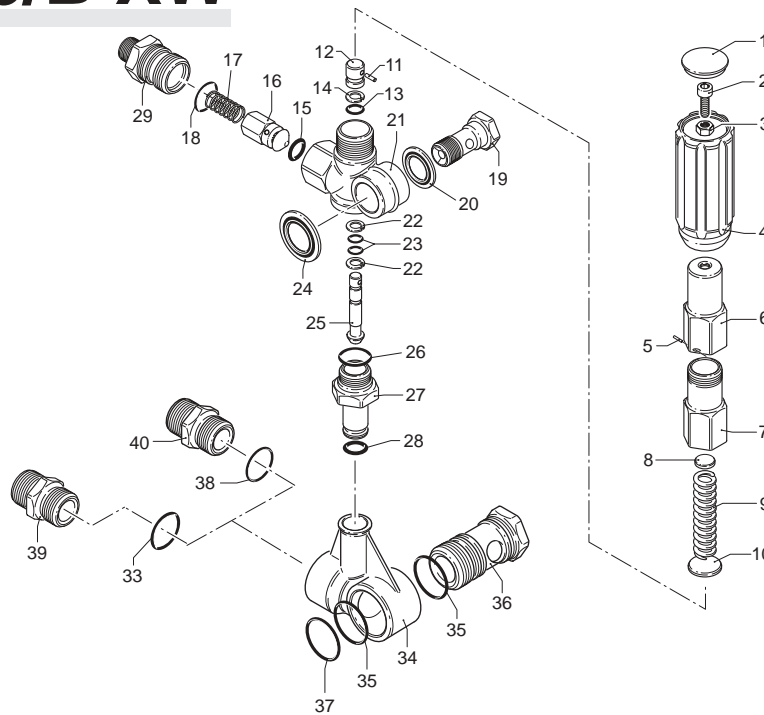
Pos.	Code	Description	Qty.	Pos.	Code	Description	Qty.
1	1560580	Handle Plug	1	40	1540020	By-pass housing	1
2	180030	Adjusting screw	1	41	1540120	Sealing washer	1
3	1660210	Lock nut	1	42	1540090	1/2" G mounting bolt	1
4	1560400	Handle	1	43	1560290	Sealing washer	1
5	1080070	Pin	1	44	480440	O-Ring	1
6	1560420	Brass adjusting cap	1	45	1540050	1/2" G inlet fitting	1
7	1560410	Spring guide	1	45	1560640	1/2" NPT inlet fitting	1
8	1560440	Spring plate	1	46	1560660	Retaining ring	1
9	1560350	Spring	1	47	1569202	Complete adjustable injector kit	1
10	1080610	Spring plate	1	48	1569204	Complete adjustable injector kit	1
11	1080660	Pin	1				
12	1080540	Upper piston	1				
13	391000	O-Ring	1				
14	1080640	Back-up ring	1				
15	1560150	O-Ring	1				
16	1560100	Shutter valve	1				
17	1560140	Spring	1				
18	180101	O-Ring	1				
19	1540080	3/8" G mounting bolt	1				
20	1540110	Sealing washer	1				
21	1560010	Valve body	1				
22	1080550	Back-up ring	2				
23	480480	O-Ring	2				
24	1560280	Sealing washer	1				
25	1560320	Lower piston	1				
26	880270	O-Ring	1				
27	1560051	By-pass adaptor	1				
28	390080	O-Ring	1				
29	1560510	Lock nut	1				
30	1560500	3/8" G injector body 1.8	<input type="checkbox"/> <input checked="" type="checkbox"/> 1				
30	1560530	3/8" G injector body 2.1	<input type="checkbox"/> <input checked="" type="checkbox"/> 1				
31	1560520	Spring	<input type="checkbox"/> <input checked="" type="checkbox"/> 1				
32	1250280	Ball	<input type="checkbox"/> <input checked="" type="checkbox"/> 1				
33	480480	O-Ring	<input type="checkbox"/> <input checked="" type="checkbox"/> 1				
34	1560490	Hose barb (fixed)	<input type="checkbox"/> 1				
35	1560111	Steel adaptor 3/8" G	<input type="checkbox"/> 1				
35	1560031	Steel adaptor 3/8" NPT	<input type="checkbox"/> 1				
36	1560650	Hose barb (adjustable)	<input checked="" type="checkbox"/> 1				
37	800560	O-Ring	<input checked="" type="checkbox"/> 1				
38	480560	O-Ring	<input checked="" type="checkbox"/> 1				
39	1560670	Detergent regulator knob	<input checked="" type="checkbox"/> 1				

Legend		
3/B	3/B+ID	3/B+IDR
Series XR/RK/XM	Series RK	Series RK
For <input type="radio"/>	For <input type="checkbox"/>	For <input checked="" type="checkbox"/>
AR20242	AR20081 1.8 AR20082 2.1	AR20399 1.8 AR20400 2.1

Repair Kits

O-Rings		Bolts	
Pos.	Qty.	Pos.	Qty.
13	1	19	1
14	1	20	1
15	1	24	1
18	1	41	1
20	1	42	1
22	2	43	1
23	2		
24	1		
26	1		
28	1		
33	1		
41	1		
43	1		

Gymatic 3/B XW



Pos.	Code	Description	Qty.	Pos.	Code	Description	Qty.
1	1560580	Knob plug	1	37	550350	O-Ring	1
2	180030	Bolt	1	38	480440	O-Ring 3/4" G	○ 1
3	1660210	Nut	1	39	1540050	Fitting 1/2" G	○ 1
4	1560400	Handle	1	40	1560560	Fitting 3/4" G	□ 1
5	1080070	Pin	1	1940770	Fitting 3/4" NPT	□ 1	
6	1560420	Adjusting screw	1				
7	1560410	Spring guide	1				
8	1560440	Plate	1				
9	1560350	Spring	1				
10	1080610	Spring plate	1				
11	1080660	Pin	1				
12	1080540	Upper piston	1				
13	391000	O-Ring	1				
14	1080640	Backup ring	1				
15	1560150	O-Ring	1				
16	1560100	Shutter valve	1				
17	1560140	Spring	1				
18	180101	O-Ring	1				
19	1540080	Fitting 3/8" G	1				
	1540190	Fitting 3/8" NPT	1				
20	1540110	Washer	1				
21	1560010	Valve housing	1				
22	1080550	Backup ring	2				
23	480480	O-Ring	2				
24	1560280	Washer	1				
25	1560320	Lower piston	1				
26	880270	O-Ring	1				
27	1560051	By-Pass adaptor	1				
28	390080	O-Ring	1				
29	1560110	Brass adaptor 3/8" G	1				
	1560111	Steel adaptor 3/8" G	1				
30	1560650	Hose tail	1				
31	800560	O-Ring	1				
32	480560	O-Ring	1				
33	480440	O-Ring 1/2" G	1				
34	1560550	By-Pass housing 3/4" G	○ 1				
	1560750	By-Pass housing 3/4" NPT	○ 1				
	1560730	By-Pass housing 1/2" G	□ 1				
	1560740	By-Pass housing 1/2" NPT	□ 1				
35	770260	O-Ring	2				
36	1560760	Brass fitting 3/4" G	1				
	1560570	Steel fitting 3/4" G	1				

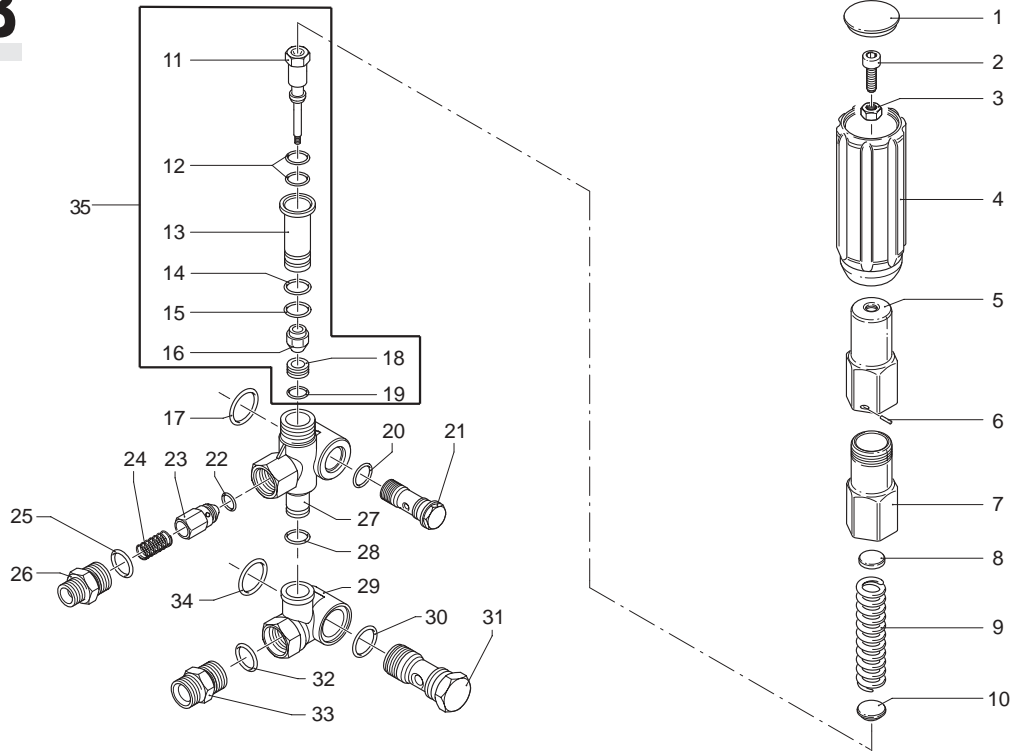
Legend

For ○ For □
AR20802 AR20758

Repair Kits

O-Rings		Bolts	
Kit 2611		Kit 2120	
Pos.	Qty.	Pos.	Qty.
13	1	19	1
14	1	20	1
15	1	24	1
18	1	35	1
20	1	36	1
22	2	37	1
23	2		
24	1		
26	1		
28	1		
33	1		
41	1		
43	1		

VR 3/B



Pos.	Code	Description	Qty.
1	1560580	Cover	1
2	320360	Bolt	1
3	1660210	Nut	1
4	1560400	Handle	1
5	1560420	Bolt	1
6	1080070	Pin	1
7	2260120	Spring guide	1
8	2260140	Upper plate	1
9	1560350	Spring	1
10	2260130	Lower plate	1
11	2260060	Piston	1
12	2260100	O-Ring	2
13	2260040	Piston guide	1
14	740290	O-Ring	1
15	394280	O-Ring	1
16	2260070	By-pass jet	1
17	2260190	O-Ring	1
18	2260080	Seat	1
19	1260740	O-Ring	1
20	390080	O-Ring	1
21	2260180	Thread bolt	1
22	1560150	O-Ring	1
23	1560100	Shutter valve	1
24	1560140	Spring	1
25	180101	O-Ring	1
26	1560111	Steel 3/8" G adaptor	1
27	2260170	Valve housing	1
28	390080	O-Ring	1
29	1540470	1/2" G by-pass housing	1
29	1540440	1/2" NPT by-pass housing	1
30	880270	O-Ring	1
31	1540260	Thread bolt	1
32	480440	O-Ring	1
33	1540050	Fitting	1
34	1540630	O-Ring	1
35	2129	Kit	1

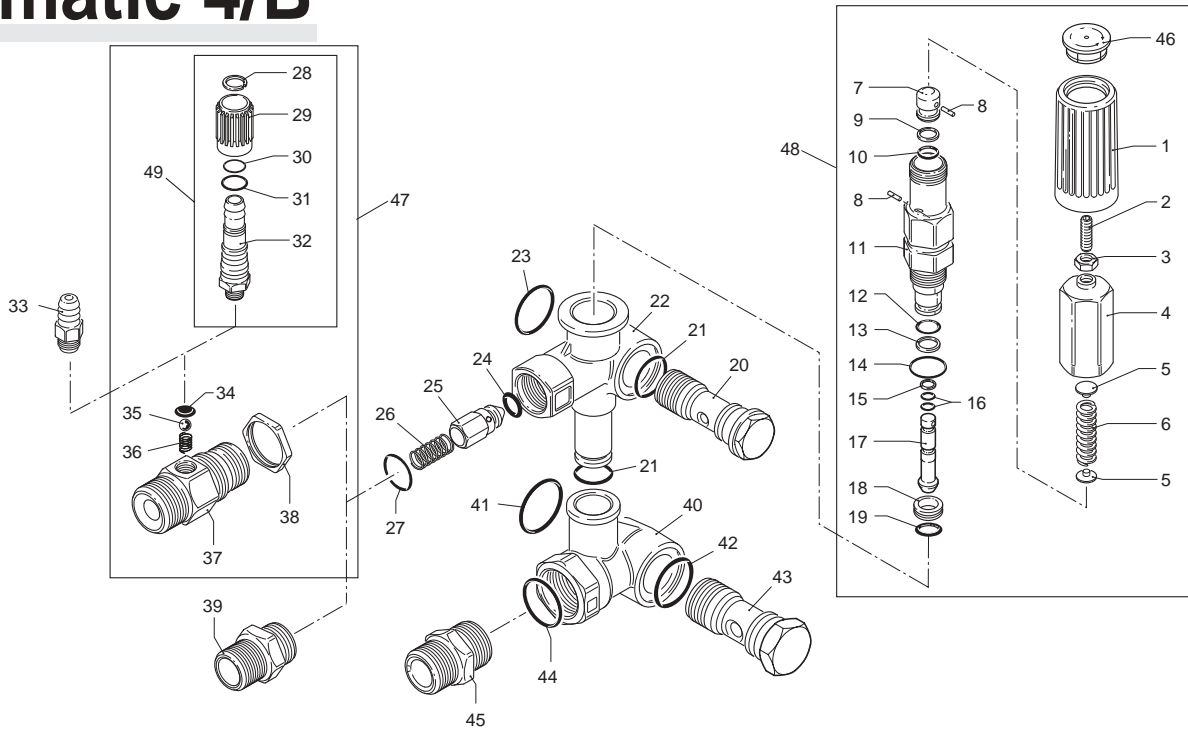
Legend

AR20992

Repair Kits

O-Rings		Bolts	
Kit 2505		Kit 2121	
Pos.	Qty.	Pos.	Qty.
12	1	17	1
14	1	20	1
15	1	21	1
17	1	30	1
19	1	31	1
20	2	34	1
22	2		
25	1		
28	1		
30	1		
34	1		

Minimatic 4/B



Pos.	Code	Description	Qty.
1	1981780	Adjusting knob	1
2	1540560	Adjusting screw	1
3	1980300	Lock nut	1
4	1980390	Brass adjusting cap	1
5	1980220	Spring plate	2
6	1271070	Spring	1
7	1080041	Upper piston	1
8	1080070	Pin	2
9	1080401	Back-up ring	1
10	1080250	O-Ring	1
11	1980210	Piston guide	1
12	740290	O-Ring	1
13	800560	O-Ring	1
14	880830	O-Ring	1
15	1271170	Back-up ring	1
16	1080190	O-Ring	1
17	1271160	Lower piston	1
18	1980200	Valve seat	1
19	1470210	O-Ring	1
20	1540270	Brass adjusting bolt	1
21	1540430	Steel adjusting bolt	1
22	390080	O-Ring	1
23	1540510	Valve housing	1
24	1140450	O-Ring	1
25	1460430	O-Ring	1
26	1540170	Shutter valve	1
27	1080091	Spring	1
28	394280	O-Ring	1
29	1560660	Snap ring	1
30	1560680	Detergent regulator knob	1
31	480560	O-Ring	1
32	800560	O-Ring	1
33	1560650	Hose barb (adjustable)	1
34	1560490	Hose barb (fixed)	1
35	480480	O-Ring	1
36	1250280	Ball	1
37	1560520	Spring	1
38	1540570	3/8" G injector body 2.0	1
	1540580	3/8" G injector body 2.34	1
	1540610	3/8" NPT injector body 2.0	1
	1540620	3/8" NPT injector body 2.34	1
	1540300	Lock nut	1

Pos.	Code	Description	Qty.
39	1540180	3/8" G discharge fitting	1
40	1540500	3/8" NPT discharge fitting	1
41	1540280	3/8" G By-pass housing	1
42	1540480	3/8" NPT By-pass housing	1
43	1540630	O-Ring	1
44	880270	O-Ring	1
45	1540260	O-Ring	1
46	480440	O-Ring	1
47	1540050	Inlet fitting	1
48	1981770	Adjusting knob plug	1
49	1569207	Adjustable injector kit	1
	2858	Unloader kit	1
	1569206	Adjustable injector kit	1

Legend

4/B	4/B+ID	4/B+IDR
For ○	For □	For ▼
AR20821	AR20888	AR20890
AR21036	AR21037	AR21039
	AR21038	AR21040

Repair Kits

		O-Rings		Bolts	
		Kit 2812		Kit 2572	
Pos.	Qty.	Pos.	Qty.	Pos.	Qty.
9	1	17	2	35	1
10	1	20	1	42	1
13	1	22	2	44	1
14	1	24	1		
15	1	25	1		
16	1	28	1		
				20 ^{Brass}	1
				21	1
				23	1
				41	1
				42	1
				43	1

ID = injector
IDR = adjustable injector